



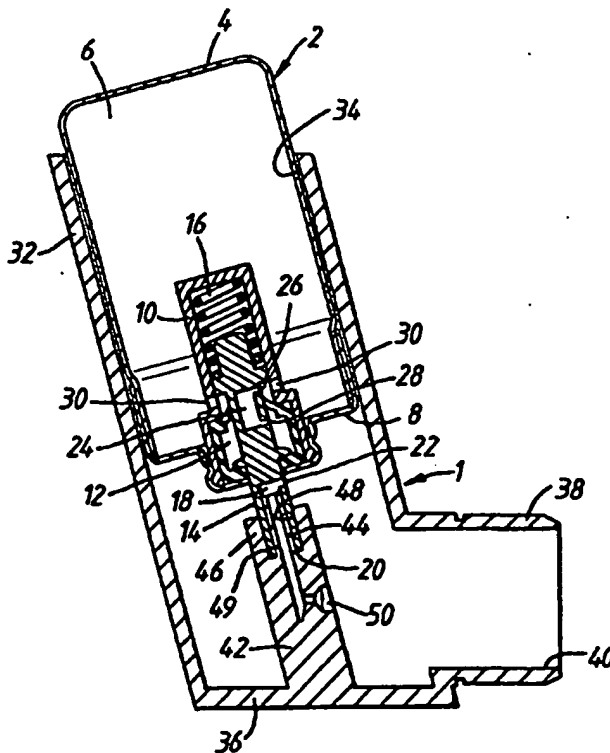
INTERNATIONAL APPLICATION PUBLISHED UNDER THE PATENT COOPERATION TREATY (PCT)

<p>(51) International Patent Classification <sup>6</sup> : <b>A61M 15/00, 11/00</b></p>	<p><b>A1</b></p>	<p>(11) International Publication Number: <b>WO 00/01436</b> (43) International Publication Date: 13 January 2000 (13.01.00)</p>
<p>(21) International Application Number: PCT/SE99/01198 (22) International Filing Date: 1 July 1999 (01.07.99) (30) Priority Data: 9802398-9 3 July 1998 (03.07.98) SE (71) Applicant (for all designated States except MG US): ASTRA PHARMACEUTICALS LTD. [GB/GB]; Home Park, Kings Langley, Herts. WD4 8DH (GB). (71) Applicant (for MG only): ASTRA AKTIEBOLAG [SE/SE]; S-151 85 Södertälje (SE). (72) Inventor; and (75) Inventor/Applicant (for US only): BURNS, Stephen, John [GB/GB]; Astra Chamwood, Bakewell Road, Loughborough, Leicester LE11 5RH (GB). (74) Agent: ASTRA AKTIEBOLAG; Intellectual Property, Patents, S-151 85 Södertälje (SE).</p>		<p>(81) Designated States: AE, AL, AM, AT, AT (Utility model), AU, AZ, BA, BB, BG, BR, BY, CA, CH, CN, CU, CZ, CZ (Utility model), DE, DE (Utility model), DK, DK (Utility model), EE, EE (Utility model), ES, FI, FI (Utility model), GB, GD, GE, GH, GM, HR, HU, ID, IL, IN, IS, JP, KE, KG, KP, KR, KZ, LC, LK, LR, LS, LT, LU, LV, MD, MG, MK, MN, MW, MX, NO, NZ, PL, PT, RO, RU, SD, SE, SG, SI, SK, SK (Utility model), SL, TJ, TM, TR, TT, UA, UG, US, UZ, VN, YU, ZA, ZW, ARIPO patent (GH, GM, KE, LS, MW, SD, SL, SZ, UG, ZW), Eurasian patent (AM, AZ, BY, KG, KZ, MD, RU, TJ, TM), European patent (AT, BE, CH, CY, DE, DK, ES, FI, FR, GB, GR, IE, IT, LU, MC, NL, PT, SE), OAPI patent (BF, BJ, CF, CG, CI, CM, GA, GN, GW, ML, MR, NE, SN, TD, TG).</p> <p><b>Published</b> <i>With international search report.</i> <i>Before the expiration of the time limit for amending the claims and to be republished in the event of the receipt of amendments.</i></p>

(54) Title: INHALATION DEVICE

(57) Abstract

An actuator for a pressurised metered dose inhaler, including: a tubular section (38) providing an outlet through which medicament is in use inhaled; and a nozzle block (42) including a tubular element (44) having a free end over which the valve stem (14) of a canister (2) is in use located and a spray orifice (50) in fluid communication with the tubular element (44) for directing a spray into the tubular section (38).



**FOR THE PURPOSES OF INFORMATION ONLY**

Codes used to identify States party to the PCT on the front pages of pamphlets publishing international applications under the PCT.

AL	Albania	ES	Spain	LS	Lesotho	SI	Slovenia
AM	Armenia	FI	Finland	LT	Lithuania	SK	Slovakia
AT	Austria	FR	France	LU	Luxembourg	SN	Senegal
AU	Australia	GA	Gabon	LV	Latvia	SZ	Swaziland
AZ	Azerbaijan	GB	United Kingdom	MC	Monaco	TD	Chad
BA	Bosnia and Herzegovina	GE	Georgia	MD	Republic of Moldova	TG	Togo
BB	Barbados	GH	Ghana	MG	Madagascar	TJ	Tajikistan
BE	Belgium	GN	Guinea	MK	The former Yugoslav Republic of Macedonia	TM	Turkmenistan
BF	Burkina Faso	GR	Greece	ML	Mali	TR	Turkey
BG	Bulgaria	HU	Hungary	MN	Mongolia	TT	Trinidad and Tobago
BJ	Benin	IE	Ireland	MR	Mauritania	UA	Ukraine
BR	Brazil	IL	Israel	MW	Malawi	UG	Uganda
BY	Belarus	IS	Iceland	MX	Mexico	US	United States of America
CA	Canada	IT	Italy	NE	Niger	UZ	Uzbekistan
CF	Central African Republic	JP	Japan	NL	Netherlands	VN	Viet Nam
CG	Congo	KE	Kenya	NO	Norway	YU	Yugoslavia
CH	Switzerland	KG	Kyrgyzstan	NZ	New Zealand	ZW	Zimbabwe
CI	Côte d'Ivoire	KP	Democratic People's Republic of Korea	PL	Poland		
CM	Cameroon	KR	Republic of Korea	PT	Portugal		
CN	China	KZ	Kazakhstan	RO	Romania		
CU	Cuba	LC	Saint Lucia	RU	Russian Federation		
CZ	Czech Republic	LJ	Liechtenstein	SD	Sudan		
DE	Germany	LK	Sri Lanka	SE	Sweden		
DK	Denmark	LR	Liberia	SG	Singapore		
EE	Estonia						

## INHALATION DEVICE

The present invention relates to an actuator for a pressurised metered dose inhaler and a pressurised metered dose inhaler including the same.

5

In using conventional pressurised metered dose inhalers with some hydrofluoroalkane (HFA) formulations being developed by the applicant company it has been found that medicament tends to deposit in the valve stems of the canisters thereof. It will be appreciated that this deposition could lead to the user receiving an unusually high dose of medicament if the deposit were at least in part to break away or, indeed, result in the valve stems becoming blocked, thereby rendering the pressurised metered dose inhalers inoperative. Ideally, one would simply just wash the canisters to remove the deposit. Unfortunately, however, it is not possible to wash the canisters as the formulations are sensitive to moisture and would as a result of washing be contaminated.

15

Accordingly, the present invention provides an actuator for a pressurised metered dose inhaler, including: a tubular section providing an outlet through which medicament is in use inhaled; and a nozzle block including a tubular element having a free end over which the valve stem of a canister is in use located and a spray orifice in fluid communication with the tubular element for directing a spray into the tubular section.

20

By providing the nozzle block of the actuator with a tubular element over which the valve stem of a canister is located, medicament will deposit on the inner radial surface of the tubular element and not in the valve stem of the canister. In this way, the user is able to prevent the build up of any appreciable amount of deposit by washing the actuator regularly; the actuator being washable when separated from the canister.

25

Preferably, the tubular element is configured such that an outer radial surface thereof is a close fit with an inner radial surface of the valve stem of the canister.

30

More preferably, the tubular element is configured such that an outer radial surface thereof is a tight fit with an inner radial surface of the valve stem of the canister.

Preferably, the tubular element is of circular section.

5

Preferably, the nozzle block includes an abutment against which in use bears the distal end of the valve stem of the canister.

More preferably, the abutment comprises a surface which extends radially outwardly of the tubular element.

10

In a preferred embodiment the nozzle block includes a further tubular element co-axial with the first-mentioned tubular element such that the tubular elements define an annular channel in which the valve stem of the canister is in use located.

15

Preferably, the further tubular element is configured such that an inner radial surface thereof is a close fit with an outer radial surface of the valve stem of the canister.

More preferably, the further tubular element is configured such that an inner radial surface thereof is a tight fit with an outer radial surface of the valve stem of the canister.

20

Preferably, the further tubular element is of circular section.

The present invention also extends to a pressurised metered dose inhaler comprising the above-described actuator and a canister including a valve stem extending therefrom.

25

A preferred embodiment of the present invention will now be described hereinbelow by way of example only with reference to the accompanying drawings, in which:

Figure 1 illustrates a front view of an actuator of a pressurized metered dose inhaler in accordance with a preferred embodiment of the present invention;

Figure 2 illustrates a side view of the actuator of Figure 1;

5

Figure 3 illustrates a vertical sectional view of the actuator of Figure 1; and

Figure 4 illustrates a vertical sectional view of the pressurised metered dose inhaler of the preferred embodiment of the present invention.

10

The pressurised metered dose inhaler comprises an actuator 1 and an aerosol canister 2 fitted therein.

The canister 2 comprises a body 4 which defines a storage chamber 6 for holding a suspension or solution of a medicament in a propellant under pressure. The body 4 includes a head 8 which includes a housing 10 that defines a metering chamber 12 and a valve stem 14 that is movably disposed in the housing 10 and extends from the head 8. The valve stem 14 is movable between an extended, closed position (as illustrated) and a depressed, open position (not illustrated), the valve stem 14 normally being biased by a compression spring 16 disposed in the housing 10 into the closed position. The valve stem 14 includes a first conduit 18 which includes a first, outlet opening 20 located at the distal end of the valve stem 14 and a second, inlet opening 22 located in the side wall of the valve stem 14. The valve stem 14 further includes a second conduit 24 in that part thereof which is always disposed within the body 4. The second conduit 24 includes first and second axially-spaced openings 26, 28 located in the side wall of the valve stem 14 and enables communication between the storage chamber 6 and the metering chamber 12 via bores 30 in the housing 10. In this regard, it will be noted that the structure of the metering chamber 12 and the valve stem 14 of the canister 2 is known *per se*.

25

The actuator 1 comprises a first, main tubular section 32, one, the upper, end of which is open and provides an opening 34 into which the canister 2 is in use inserted and the other, lower, end of which is closed by a wall member 36. The actuator 1 further comprises a second tubular section 38 which extends substantially laterally from the other, that is, the lower, end of the main tubular section 32; the second tubular section 38 acting as a mouthpiece which is in use gripped in the lips of a user and including an opening 40 at the distal end thereof through which medicament is in use inhaled. The actuator 1 still further comprises a nozzle block 42 which extends upwardly from the wall member 36 into the main tubular section 32. The nozzle block 42 includes a first tubular element 44, in this embodiment of circular section, over which the valve stem 14 of the canister 2 is located. The first tubular element 44 is configured such that the radial dimension of the outer radial surface thereof is a close fit with the inner radial surface of the first conduit 18 in the valve stem 14. In this way, no appreciable amount of medicament can build up between the outer radial surface of the first tubular element 44 and the inner radial surface of the first conduit 18 in the valve stem 14. In a preferred embodiment the first tubular element 44 is configured such that the radial dimension of the outer radial surface thereof is a tight fit with the inner radial surface of the first conduit 18 in the valve stem 14. In this way, material cannot escape between the outer radial surface of the first tubular element 44 and the inner radial surface of the first conduit 18 in the valve stem 14. The first tubular element 44 is further configured to be of such a length as to extend within the first conduit 18 in the valve stem 14 to a position adjacent that part of the second opening 22 in the valve stem 14 which is axially closest to distal end of the valve stem 14. In this way, the second opening 22 in the valve stem 14 is always open. The first tubular element 44 is located on the longitudinal axis of the main tubular section 32. In this way, the valve stem 14 will always be aligned with the first tubular element 44 on insertion of the canister 2 into the actuator 1, thereby allowing easy fitting and removal. The nozzle block 42 further includes a second tubular element 46, in this embodiment also of circular section, which is co-axial with the first tubular element 44 and is disposed such that the outer radial surface of the first tubular element 44 and the inner radial surface of the second tubular element 46 define an annular channel 48, the bottom surface 49 of which provides an abutment for the

distal end of the valve stem 14. The second tubular element 46 is configured such that the radial dimension of the inner radial surface thereof is a close fit with the outer radial surface of the valve stem 14. In this way, lateral movement of the valve stem 14 is prevented, thereby ensuring that the first tubular element 44 cannot be damaged by such lateral movement of the valve stem 14. In a preferred embodiment the second tubular element 46 is configured such that the radial dimension of the inner radial surface thereof is a tight fit with the outer radial surface of the valve stem 14. In this way, material cannot escape between the outer radial surface of the valve stem 14 and the inner radial surface of the second tubular element 46. The nozzle block 42 still further includes a laterally-directed spray orifice 50 which is in fluid communication with the first tubular element 44 and configured to direct a spray into the second tubular section 38 acting as the mouthpiece.

In use, a user grips the mouthpiece provided by the second tubular section 38 in the lips. The user then depresses the base of the body 4 of the canister 2 which extends out of the opening 34 in the main tubular section 32 so as to release a dose of medicament from the canister 2 and at the same time inhales so as to inhale the dose of medicament.

In this embodiment the actuator 1 is formed entirely of a plastics material, typically by moulding. In an alternative embodiment the first tubular element 44 could be provided by a preformed thin-walled metal tube, such as a stainless steel tube, to which is fitted or moulded a component providing the remainder of the actuator 1.

Finally, it will be understood that the present invention has been described in its preferred embodiment and can be modified in many different ways without departing from the scope of the invention as defined by the appended claims.

## CLAIMS

1. An actuator for a pressurised metered dose inhaler, including:  
a tubular section (38) providing an outlet through which medicament is in use inhaled;  
5 and  
a nozzle block (42) including a tubular element (44) having a free end over which the  
valve stem (14) of a canister (2) is in use located and a spray orifice (50) in fluid  
communication with the tubular element (44) for directing a spray into the tubular  
section (38).  
10
2. The actuator of claim 1, wherein the tubular element (44) is configured such that an  
outer radial surface thereof is a close fit with an inner radial surface of the valve stem  
(14) of the canister (2).
- 15 3. The actuator of claim 2, wherein the tubular element (44) is configured such that an  
outer radial surface thereof is a tight fit with an inner radial surface of the valve stem  
(14) of the canister (2).
4. The actuator of any of claims 1 to 3, wherein the tubular element (44) is of circular  
20 section.
5. The actuator of any of claims 1 to 4, wherein the nozzle block (42) includes an  
abutment against which in use bears the distal end of the valve stem (14) of the  
canister (2).  
25
6. The actuator of claim 5, wherein the abutment comprises a surface (49) which extends  
radially outwardly of the tubular element (44).
7. The actuator of any of claims 1 to 6, wherein the nozzle block (42) includes a further  
30 tubular element (46) co-axial with the first-mentioned tubular element (44) such that



the tubular elements (44, 46) define an annular channel (48) in which the valve stem (14) of the canister (2) is in use located.

8. The actuator of claim 7, wherein the further tubular element (46) is configured such  
5 that an inner radial surface thereof is a close fit with an outer radial surface of the valve stem (14) of the canister (2).
9. The actuator of claim 8, wherein the further tubular element (46) is configured such  
10 that an inner radial surface thereof is a tight fit with an outer radial surface of the valve stem (14) of the canister (2).
10. The actuator of any of claims 7 to 9, wherein the further tubular element (46) is of circular section.
- 15 11. A pressurised metered dose inhaler comprising the actuator of any of claims 1 to 10 and a canister (2) including a valve stem (14) extending therefrom.

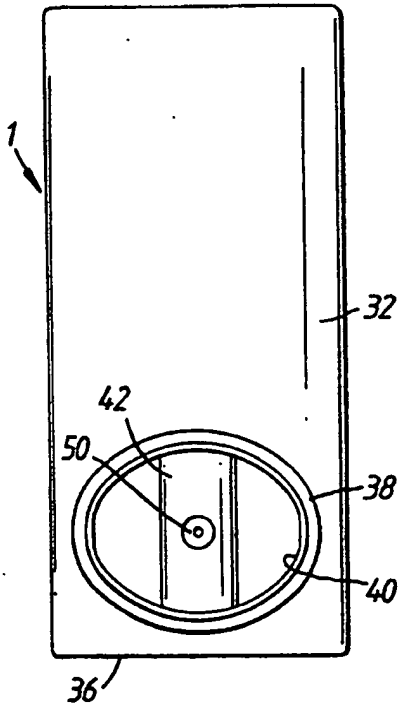


Fig. 1

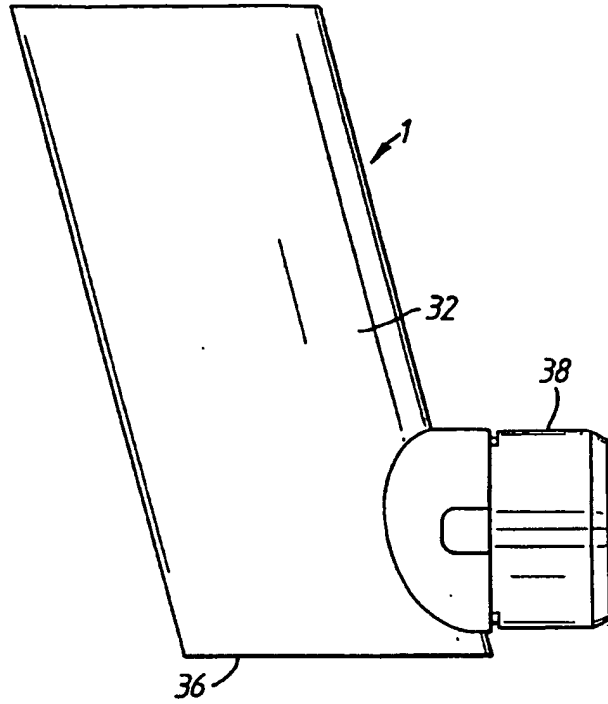


Fig. 2

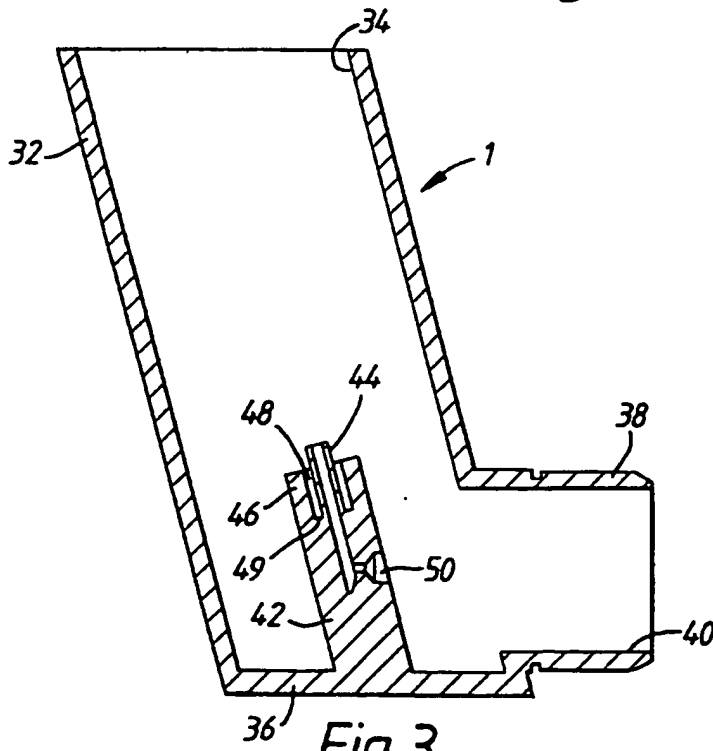


Fig. 3

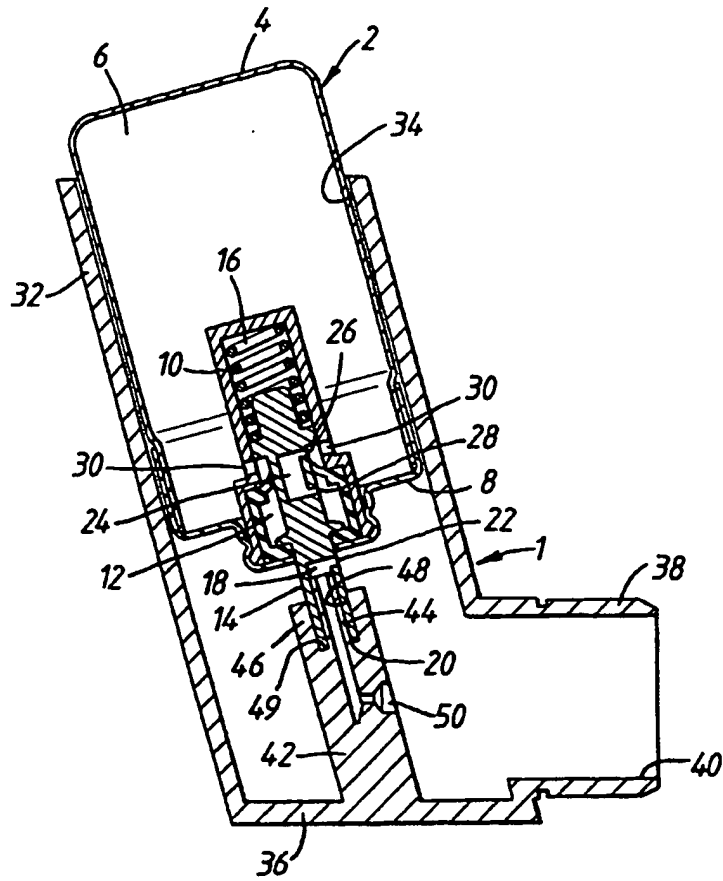


Fig. 4

## INTERNATIONAL SEARCH REPORT

International application No.

PCT/SE 99/01198

A. CLASSIFICATION OF SUBJECT MATTER		
<b>IPC6: A61M 15/00, A61M 11/00</b> According to International Patent Classification (IPC) or to both national classification and IPC		
B. FIELDS SEARCHED		
Minimum documentation searched (classification system followed by classification symbols)		
<b>IPC6: A61M</b>		
Documentation searched other than minimum documentation to the extent that such documents are included in the fields searched		
<b>SE,DK,FI,NO classes as above</b>		
Electronic data base consulted during the international search (name of data base and, where practicable, search terms used)		
C. DOCUMENTS CONSIDERED TO BE RELEVANT		
Category*	Citation of document, with indication, where appropriate, of the relevant passages	Relevant to claim No.
X	EP 0808635 A2 (BESPAK PLC), 26 November 1997 (26.11.97), column 2, line 37 - line 42, figure 1, abstract --	1-11
A	WO 9524234 A1 (DEL BON,FRANCO), 14 Sept 1995 (14.09.95), figure 3, abstract --	1-11
A	DE 2435186 A1 (BESPAK INDUSTRIES LTD), 6 February 1975 (06.02.75), figure 1, claim 1 --	1-11
A	US 5520166 A (C. RITSON ET AL), 28 May 1996 (28.05.96), figures 3-5, abstract --	1-11
<input checked="" type="checkbox"/> Further documents are listed in the continuation of Box C. <input checked="" type="checkbox"/> See patent family annex.		
<ul style="list-style-type: none"> <li>* Special categories of cited documents</li> <li>*A* document defining the general state of the art which is not considered to be of particular relevance</li> <li>*E* earlier document but published on or after the international filing date</li> <li>*L* document which may throw doubts on priority claim(s) or which is cited to establish the publication date of another citation or other special reason (as specified)</li> <li>*O* document referring to an oral disclosure, use, exhibition or other means</li> <li>*P* document published prior to the international filing date but later than the priority date claimed</li> <li>*T* later document published after the international filing date or priority date and not in conflict with the application but cited to understand the principle or theory underlying the invention</li> <li>*X* document of particular relevance: the claimed invention cannot be considered novel or cannot be considered to involve an inventive step when the document is taken alone</li> <li>*Y* document of particular relevance: the claimed invention cannot be considered to involve an inventive step when the document is combined with one or more other such documents, such combination being obvious to a person skilled in the art</li> <li>*&amp;* document member of the same patent family</li> </ul>		
Date of the actual completion of the international search		Date of mailing of the international search report
4 November 1999		08.11.1999
Name and mailing address of the ISA/ Swedish Patent Office Box 5055, S-102 42 STOCKHOLM Facsimile No. +46 8 666 02 86		Authorized officer  Patrik Blidefalk/AE Telephone No. +46 8 782 25 00

INTERNATIONAL SEARCH REPORT

International application No.

PCT/SE 99/01198

C (Continuation). DOCUMENTS CONSIDERED TO BE RELEVANT		
Category*	Citation of document, with indication, where appropriate, of the relevant passages	Relevant to claim No.
P	WO 9904840 A1 (PHARMACIA & UPJOHN AB), 4 February 1999 (04.02.99), page 4, line 3 - line 6, figures 1-2  -- -----	

INTERNATIONAL SEARCH REPORT  
Information on patent family members

28/09/99

International application No.

PCT/SE 99/01198

Patent document cited in search report	Publication date	Patent family member(s)	Publication date
EP 0808635 A2	26/11/97	GB 2312848 A GB 9608708 D US 5896853 A	12/11/97 00/00/00 27/04/99
WO 9524234 A1	14/09/95	AU 1752795 A	25/09/95
DE 2435186 A1	06/02/75	AT 343819 B AT 603174 A AU 7132974 A BE 817951 A CA 1027005 A CH 573254 A DK 394274 A ES 428490 A FR 2238505 A GB 1479283 A IE 39612 B IN 139075 A IT 1032064 B JP 50071195 A NL 7409739 A SE 7409485 A US 3921637 A ZA 7404673 A	26/06/78 15/10/77 22/01/76 18/11/74 28/02/78 15/03/76 10/03/75 16/11/76 21/02/75 13/07/77 22/11/78 01/05/76 30/05/79 12/06/75 27/01/75 24/01/75 25/11/75 31/03/76
US 5520166 A	28/05/96	US 5497764 A CA 2082168 C EP 0529053 A JP 2613347 B JP 9164205 A US 5392768 A US 5394866 A US 5404871 A US 5450336 A US 5469750 A US 5522378 A US 5542410 A US 5608647 A US 5622162 A US 5655516 A US 5743252 A US 5755218 A US 5813397 A US 5826570 A WO 9215353 A	12/03/96 26/03/96 03/03/93 28/05/97 24/06/97 28/02/95 07/03/95 11/04/95 12/09/95 28/11/95 04/06/96 06/08/96 04/03/97 22/04/97 12/08/97 28/04/98 26/05/98 29/09/98 27/10/98 17/09/92
WO 9904840 A1	04/02/99	AU 7681698 A SE 9702796 D	16/02/99 00/00/00